



ZODIAC

G3



Owner's Manual
Guide du propriétaire

BARACUDA[®]
The World's Simplest Automatic Pool Cleaners

Important Information

Notice for Vinyl Liner Pools: Before installing your new Zodiac automatic pool cleaner, examine the interior of your pool carefully. If the vinyl liner is brittle or has stones, wrinkles, roots or metal corrosion in contact with the underside of the liner, or has damage to the base material or supporting walls, do not install the cleaner before having a qualified professional perform the necessary repairs or liner replacement. **Zodiac will not be responsible for liner damage caused by a cleaner which is in disrepair, pattern removal from a vinyl liner, or a cleaner used in a pool having an aged or deteriorated liner.** Please see Limited Warranty.

- To help prevent suction entrapment accidents, wall vacuum fittings should have a safety vac lock installed. Contact your builder or retail pool professional for details.
- Clean the skimmer basket, pump basket and pool filter before installing the Zodiac cleaner and on a regular basis thereafter.
- Always disconnect the cleaner before cleaning or backwashing the pool filter. After cleaning, let the filtration system run for at least five minutes before re-connecting the cleaner.
- Remove the cleaner from the pool before chemical or shock treatments. Wait a minimum of four hours after super chlorination before re-installing the cleaner.

For customer service or support:

Zodiac Pool Care, Inc.

2620 Commerce Way

Vista, CA 92081-8438

1-800-822-7933

www.zodiacpoolcare.com

Zodiac Pool Care Canada, Ltd.

2115 South Service Road West, Unit 3

Oakville, ON, Canada L6L 5W2

1-888-647-4004

www.zpc.ca

To ensure prompt warranty service, should it be required, please:

- Complete and return the Zodiac Warranty Card.
- Record your purchase information.
- Attach a copy of your purchase receipt to this document.

Date of Purchase: _____ Purchased From: _____

Serial Number (Located on underside of cleaner) _____

If service is required, simply present your Owner's Manual with the attached receipt at any Zodiac authorized warranty center nationwide.

G3 is a trademark of Zodiac Pool Care, Inc. For sale and use in the United States, Canada and Mexico only.

This pool cleaner is not warranted or guaranteed outside of the United States, Canada or Mexico.

This pool cleaner is covered by one or more of the following patents:

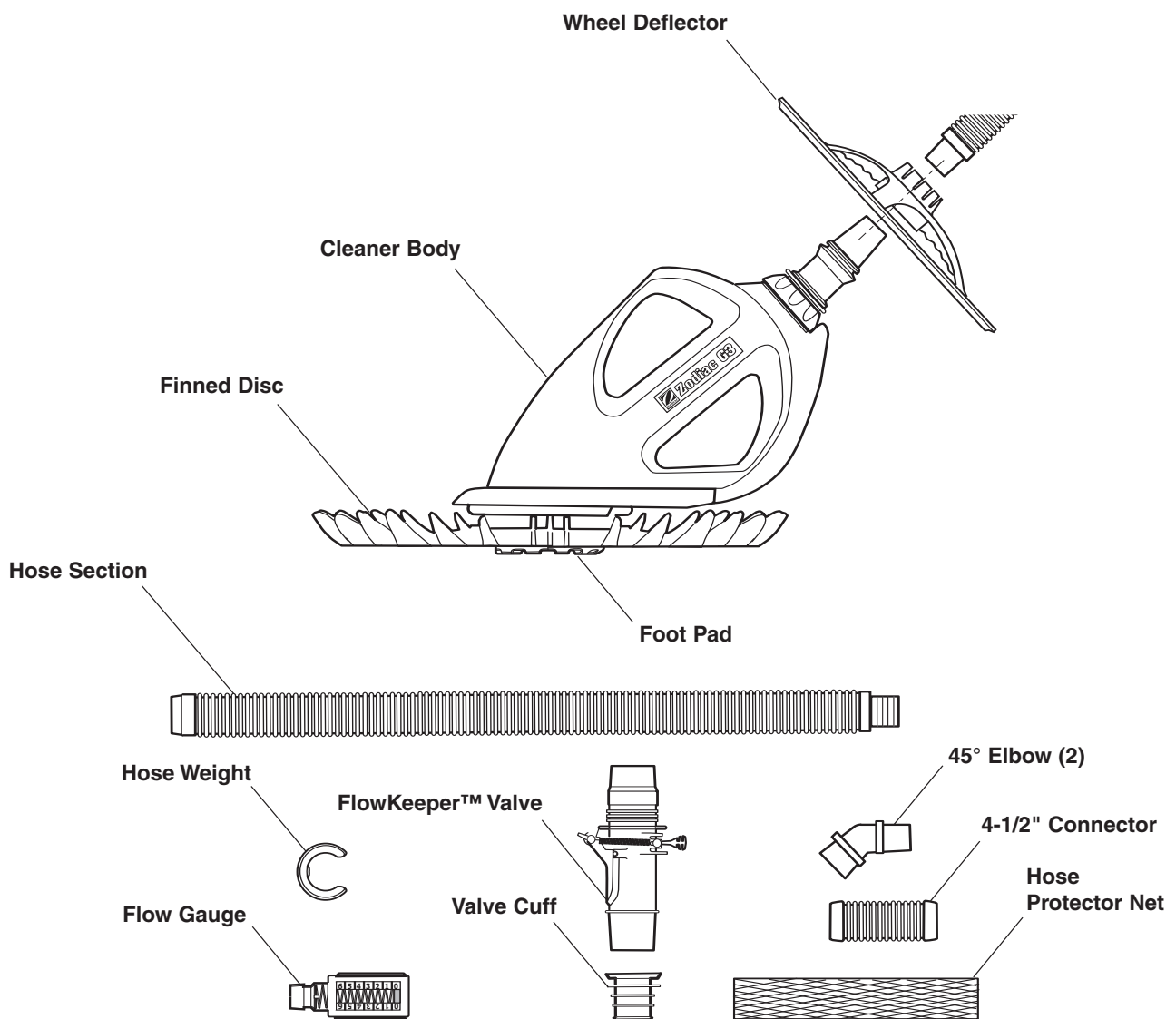
US patents: 5315728, 5421054, 5450645, 5465443 and 6122794. Canadian patents: 2127566, 2134220, 2161309 and 2266355.

Introduction

Congratulations on the purchase of your new Zodiac G3 automatic pool cleaner, and thank you for choosing Zodiac. Powered by Baracuda technology, the G3 is designed and manufactured for easy installation, and years of carefree operation.

The Zodiac G3 connects to a dedicated cleaner (suction) line or a pool skimmer. As water flows through the cleaner, dirt and debris is pulled directly into the pool filtration system.

Before installing the cleaner, please take a few moments to become familiar with its components and to review the items listed under **Important Information** on the previous page.



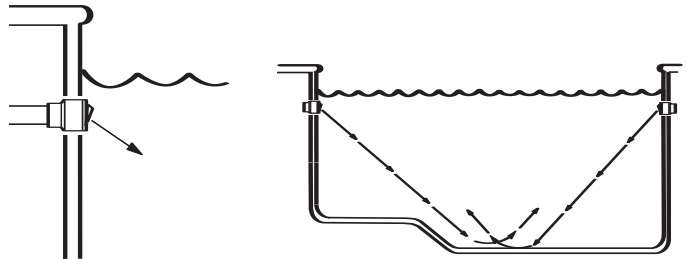
Installation

Prepare the Pool

1. Manually vacuum the pool if excessive debris is present, and make sure the pool filter and pump basket are clean.
2. Close the pool main drain line.
3. **Adjust the return lines to blow downward to break up surface circulation and ensure complete cleaning coverage.**

- Loosen the fitting lock ring
- Redirect the eyeball downward
- Retighten the lock

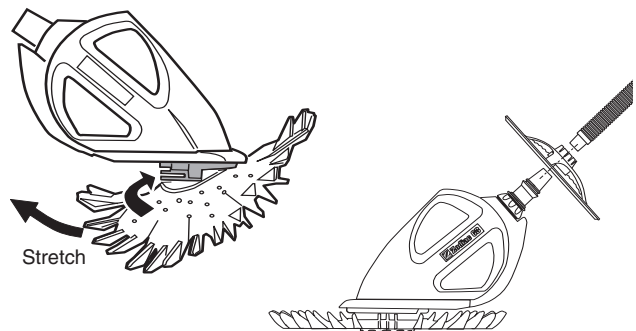
If the return fitting cannot be adjusted, the fitting **MUST** be replaced with Zodiac return line diverter (part #W90153 for 1-1/2", #W90155 for 2" or #W24100 for pools without return fittings).



Assemble the Cleaner

Stretch the finned disc over the foot pad with the fins pointing up. The disc should fit securely in the groove and rotate freely on the pad.

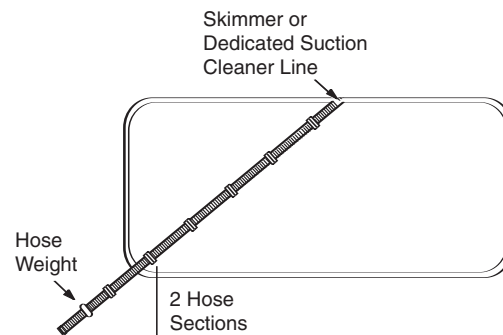
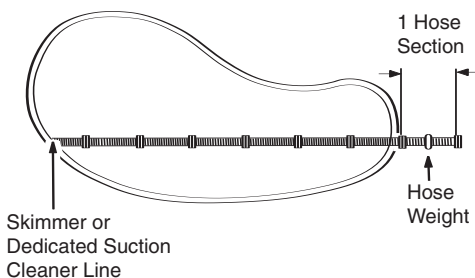
Slide the wheel deflector over the extension pipe, clips up, until it snaps onto place. The deflector should rotate freely.



Assemble the Hose

For corner or end installations, connect enough hose to reach the farthest point of the pool and then add one more section.

For center installations, connect enough hose to reach the farthest point of the pool and then add two more sections.



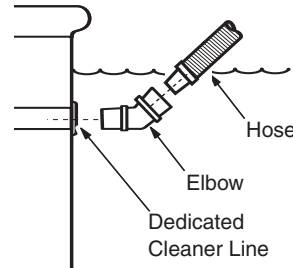
Snap the hose weight into position in the middle of the first hose section, about 20 inches from the end of the hose.

Connect the Hose

Submerge the hose completely, removing all air. **Tip:** Turn on the pump, place the hose in front of the return line until it is flooded. Turn off the pump.

To connect to a dedicated suction line:

1. Insert the male end of the hose into the large end of the 45° elbow.
2. Connect the elbow to the safety vac wall fitting.
3. Angle the elbow upward towards the water surface.

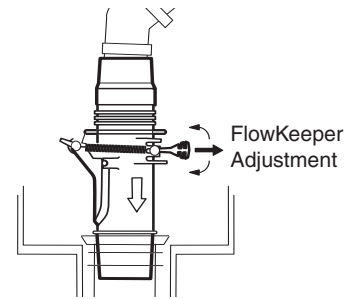


To connect to a skimmer:

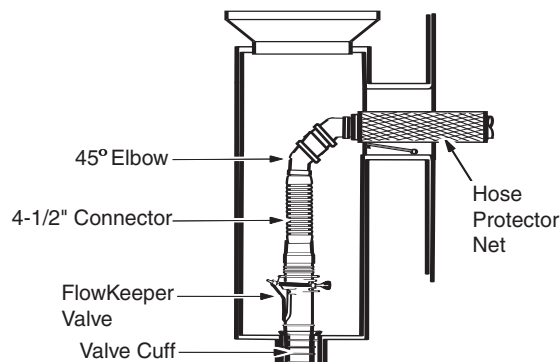
The **FlowKeeper valve must always be used in single skimmer installations.** It is pre-set at the factory for the cleaner but offers three settings to adjust the flow. The lower the setting number, the lower the flow. Pull the handle to adjust the setting up or down. The red tab can be used to open the valve and stop the cleaner.

If the pool has more than one skimmer, connect the hose to the one closest to the pump.

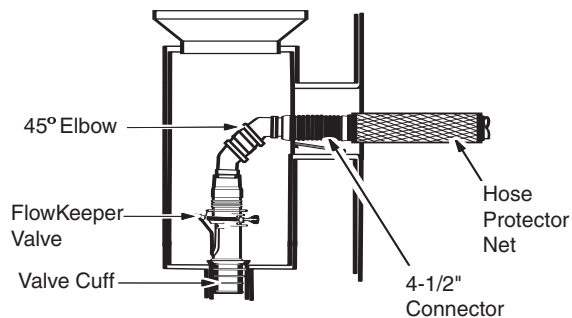
The parts used to connect the hose, and the sequence in which they are installed depends on the type of skimmer.



Deep Skimmer



Shallow Skimmer

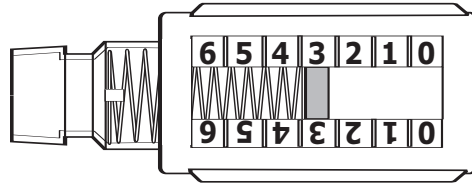


1. Remove the skimmer basket.
2. Insert the valve fitting and connect the FlowKeeper with the arrow pointing down towards the skimmer pipe.
3. Attach the hose protector net to the hose section that goes into the skimmer.
4. Choose the fitting combination that best suits the skimmer to complete the connection.

Test and Adjust for Proper Flow

Keeping the hose submerged, attach the Flow Gauge to the hose and turn on the pump.

Verify that the red indicator in the gauge (viewed from the side) is at the Number 3 setting.



If necessary, use the valves in the pool equipment area to adjust the flow.

- **For skimmer connections on pools with one skimmer**, flow is automatically regulated by the FlowKeeper Valve. The red indicator should be at the proper setting.
- **For skimmer connections on pools with more than one skimmer**, leave the valve on the skimmer connected to the hose open and slowly close the other until the proper setting is reached.
- **For dedicated suction line connections**, leave the vacuum line open and slowly close the skimmer line until the flow is at the proper setting.

If flow is in the low range (0-2):

- Check and clean the pool filter and baskets if necessary.
- Verify that valves controlling the suction lines are in the correct position.

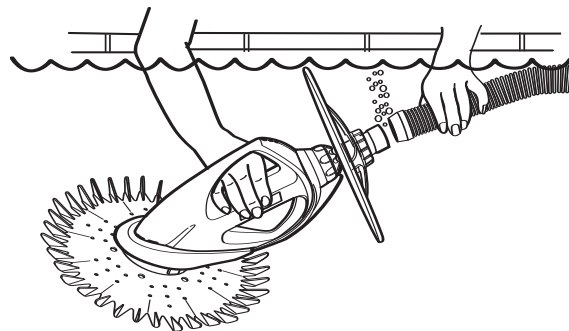
If flow is in the high range (4-6):

- Verify that valves controlling the suction lines are in the correct position.
- Lower the flow setting on the FlowKeeper Valve.
- Open the main drain slightly to further reduce flow.

Connect the Cleaner

Turn off the pump. Keeping the hose underwater, remove the Flow Gauge.

1. Submerge the cleaner and flood it with water.
2. When bubbles stop coming from the extension pipe, connect the hose to the cleaner.
3. Allow the cleaner to drift to the bottom of the pool.
4. Turn on the pool pump and begin cleaning.



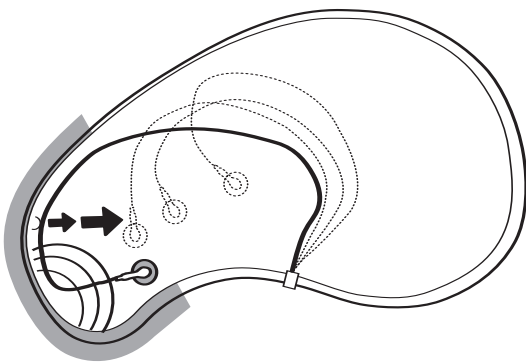
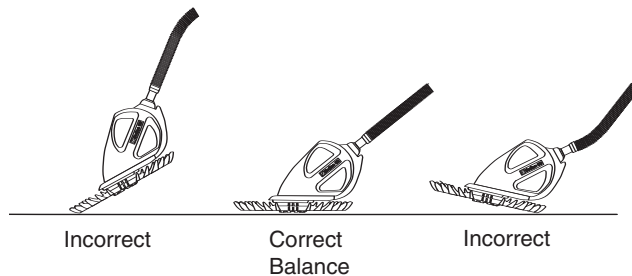
Operation and Maintenance

Fine Tuning Cleaner Performance

The G3 cycles on/off with the pool filtration pump vacuuming and cleaning all surfaces randomly throughout the pool. The coverage of the G3 is dependent on the pool's shape and available water flow. In some applications, adjustments may be necessary to optimize cleaning coverage.

The hose weight is positioned to compensate for the buoyancy of the hose. A properly balanced hose will create a 45-degree angle to the cleaner and the bottom of the pool.

In pools 8-1/2 feet or deeper, an extra hose weight (part #W83247) may be necessary. Add the weight 5 to 8 feet from the cleaner.



A return line can be used to guide the cleaner away from steps or areas with V-shaped corners, and reduce patterning.

Direct the return to gently push the cleaner hose by positioning the return directional so it aims towards the wall on the opposite side of the pool, and surface movement is visible 8 feet out from the return.

In this example, any return within the grey area can be used.

Routine Maintenance

To maintain performance:

- Never coil the hose. Straighten a coiled hose with warm water or by laying it in the sun for a day. **A kinked or coiled hose will adversely effect the G3's coverage of the pool.**
- When not in the pool, keep the disc flat to avoid warping.
- Periodically inspect cleaner parts for wear. Replace the footpad when the depths of the channels between the treads are 1/8" or less.
- Empty the pump basket regularly. The more debris in the pool, the more often it should be cleared.
- Always disconnect the cleaner before cleaning or backwashing the pool filter. After cleaning, let the filtration system run for at least five minutes before re-connecting the cleaner.

Clearing the Diaphragm

Use the Quick Access Cassette system to quickly clear the diaphragm or check it for damage.

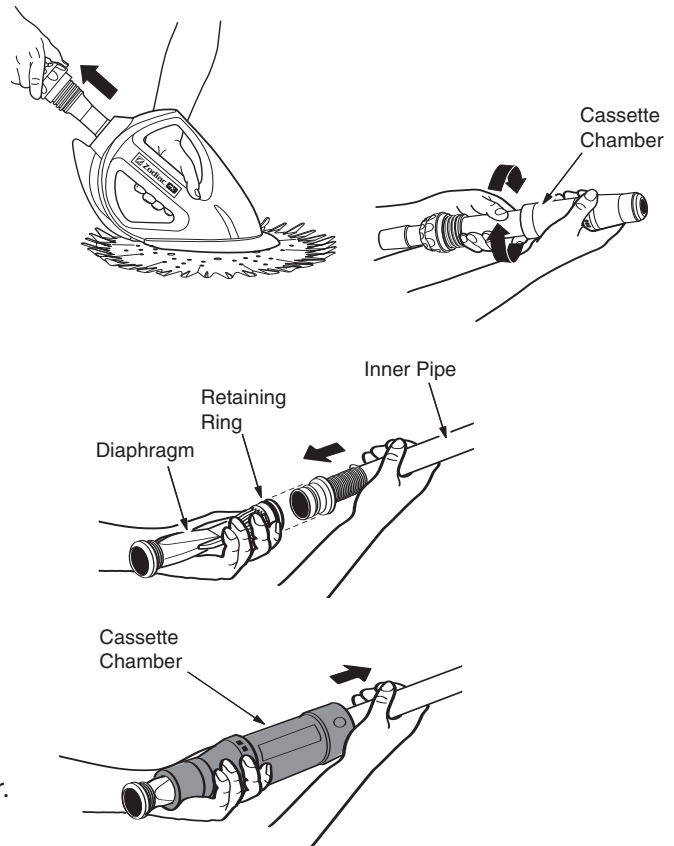
To remove:

1. Unscrew the cassette and pull it out of the cleaner.
2. Loosen the cassette chamber; pull out the inner pipe and diaphragm.
3. Pull off the diaphragm.

Inspect it for debris or wear, and rinse it thoroughly with water. Replace if necessary.

To install:

1. Verify that the retaining ring is on the diaphragm.
2. Push diaphragm onto inner pipe.
3. Pull inner pipe and diaphragm through until the diaphragm seats against the lip.
4. Reconnect the cassette and reinstall on cleaner.

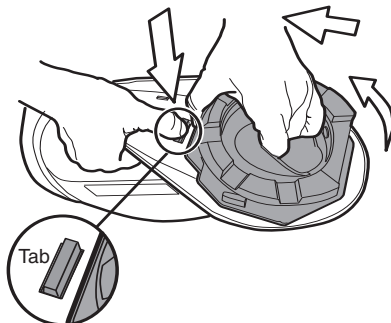


Replacing the Foot Pad

The foot pad should be replaced when the depths of the channels between the treads are 1/8" or less.

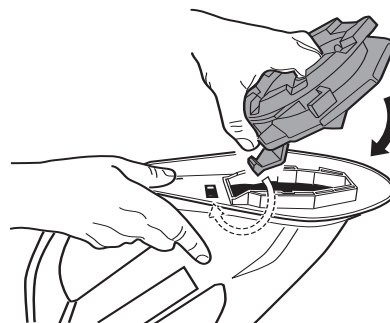
To remove:

Press down on the locking tab while pulling the foot flange toward you and up.



To install:

Slide locking tab into position and push down on shoe to lock into place.



Storage and Winterizing

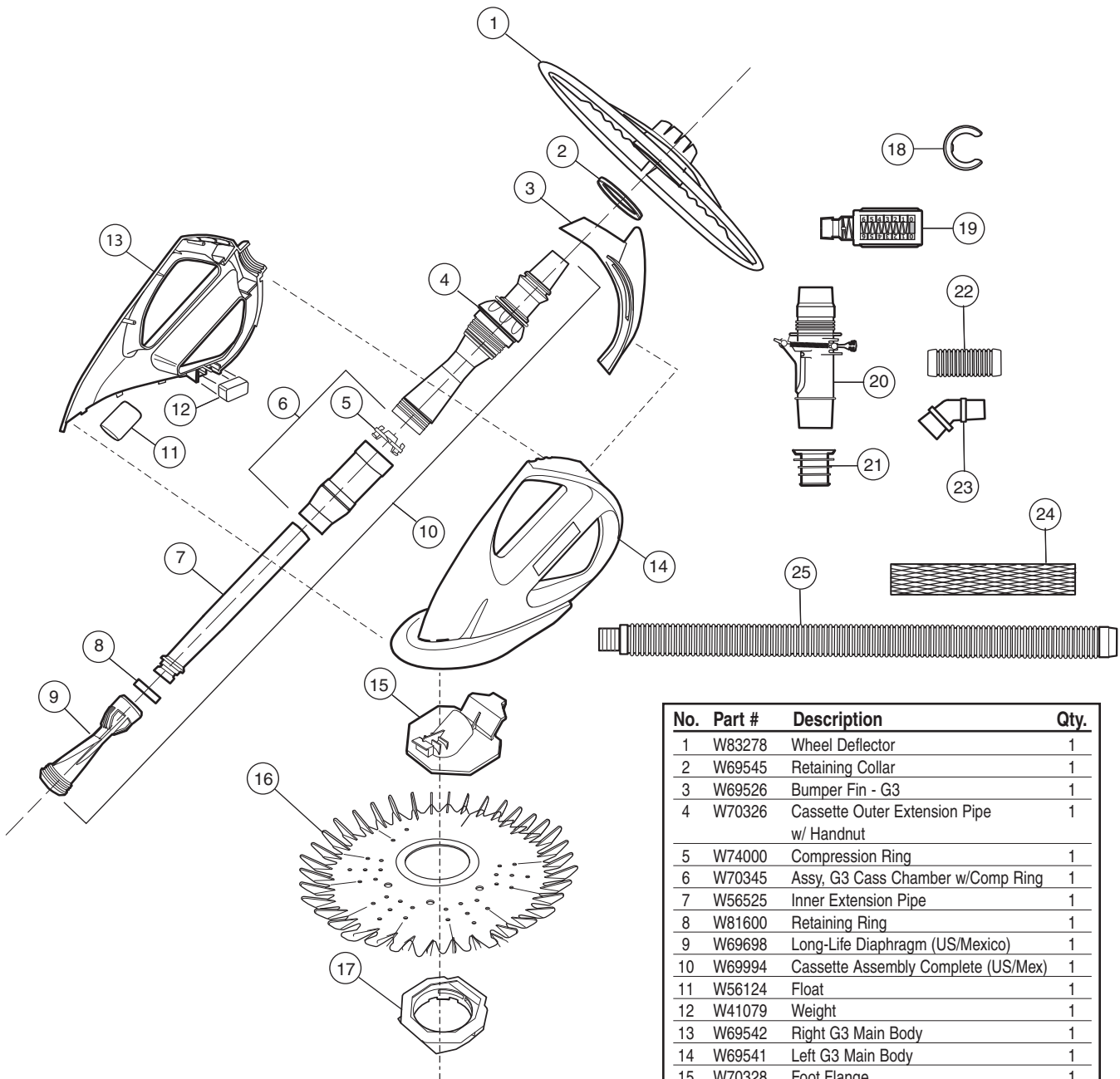
Never coil the hose. Always store G3 out of direct sunlight. When storing for the winter, drain all water from the cleaner. Remove all connectors and adapters from the dedicated suction line or skimmer. Store finned disc flat, and hose sections disconnected, drained and straight.

Troubleshooting

If you experience a problem with your G3, please follow the troubleshooting steps below to restore performance. If further assistance is required, contact Zodiac Customer Service. Please have your serial number and date of purchase available when you call.

| Problem | Solution |
|---|--|
| Cleaner does not move or moves slowly. | <ul style="list-style-type: none">• Confirm that the main drain is closed.• Use Flow Gauge to ensure proper flow. Note: In water 60° F (16° C) or less, it may be necessary to increase flow to compensate for the reduced flexibility of the hose and diaphragm.• Check diaphragm for damage or wear.• Backwash filter and empty pump basket.• Check for air in system. If water level in pump basket drops or you see excessive air bubbles in the pump basket or coming from the return lines, there is air in the system. Check hose connections, tighten all fittings at pump and check gasket in pump basket for wear. |
| Cleaner patterns, does not cover entire pool. | <ul style="list-style-type: none">• Use Flow Gauge to verify proper flow. Increase flow to improve climbing. Reduce to move cleaner off the walls.• Ensure return fittings are directed down. Add a return diverter if necessary.• Make sure hose is not kinked or coiled. Lay in sun to straighten if necessary.• Verify correct hose weight positioning.• Move hose weight away from cleaner slightly. For deep pools add a weight.• Confirm proper hose length. |
| Cleaner gets stuck at steps. | <ul style="list-style-type: none">• Use Flow Gauge to verify proper flow.• Confirm proper hose length. Shorten if necessary.• Use return jets to guide cleaner. |
| Cleaner stays on walls or edge of pool. | <ul style="list-style-type: none">• Using Flow Gauge as guide, reduce flow to the cleaner.• Verify correct hose weight positioning.• Move hose weight away from cleaner slightly. |
| Cleaner won't climb walls. | <p>Note: Climbing ability may be limited in some vinyl pools and pools with safety ledges.</p> <ul style="list-style-type: none">• Using Flow Gauge as guide, increase flow to cleaner.• Verify correct hose weight positioning. |

Zodiac G3 Parts Diagram



| No. | Part # | Description | Qty. |
|-----|--------|--|------|
| 1 | W83278 | Wheel Deflector | 1 |
| 2 | W69545 | Retaining Collar | 1 |
| 3 | W69526 | Bumper Fin - G3 | 1 |
| 4 | W70326 | Cassette Outer Extension Pipe w/ Handnut | 1 |
| 5 | W74000 | Compression Ring | 1 |
| 6 | W70345 | Assy, G3 Cass Chamber w/Comp Ring | 1 |
| 7 | W56525 | Inner Extension Pipe | 1 |
| 8 | W81600 | Retaining Ring | 1 |
| 9 | W69698 | Long-Life Diaphragm (US/Mexico) | 1 |
| 10 | W69994 | Cassette Assembly Complete (US/Mex) | 1 |
| 11 | W56124 | Float | 1 |
| 12 | W41079 | Weight | 1 |
| 13 | W69542 | Right G3 Main Body | 1 |
| 14 | W69541 | Left G3 Main Body | 1 |
| 15 | W70328 | Foot Flange | 1 |
| 16 | W70329 | Disc, 36 Finned | 1 |
| 17 | W70327 | Foot Pad | 1 |
| 18 | W83247 | Hose Weight (US/Mexico) | 1 |
| 19 | W70335 | Flow Gauge | 1 |
| 20 | W70050 | FlowKeeper Valve | 1 |
| 21 | W60263 | Valve Cuff | 1 |
| 22 | W33160 | 4-1/2" Connector | 1 |
| 23 | W70244 | 45° Elbow | 2 |
| 24 | W33800 | Hose Protector Net | 1 |
| 25 | W83140 | Long-Life Hose Kit - 12 x 1 Meter | 1 |

Zodiac G3 Limited Warranty

This Zodiac G3 cleaner was carefully inspected before shipment from our warehouse. Upon unpacking, if any part proves defective or missing, please notify Zodiac Pool Care, Inc. or Zodiac Pool Care Canada, Ltd. ("Zodiac") immediately. Please refer to the information in this manual for complete instructions on the installation and operation of your G3.

| ZODIAC WARRANTS THIS G3 POOL CLEANER: | IN US/MEXICO | IN CANADA |
|--|---------------------|------------------|
| AGAINST ALL MANUFACTURING DEFECTS: | TWO (2) YEARS | TWO (2) YEARS |
| AGAINST WEAR AND TEAR: | TWO (2) YEARS | TWO (2) YEARS |
| ZODIAC WARRANTS THE G3 HOSE: | IN US/MEXICO | IN CANADA |
| AGAINST DEFECTS, AND WEAR AND TEAR | TWO (2) YEARS | ONE (1) YEAR |

ALL WARRANTIES ARE EFFECTIVE FROM THE DATE OF PURCHASE.

Should this product prove defective in workmanship, materials or wear during the applicable warranty period, the consumer's sole and exclusive remedy shall be such repair or replacement of the product as provided below.

THE LIMITED WARRANTY PROVIDED HEREIN IS THE SOLE AND EXCLUSIVE WRITTEN WARRANTY WITH RESPECT TO THE G3 POOL CLEANER. ALL IMPLIED WARRANTIES IMPOSED BY APPLICABLE LAW, INCLUDING ANY IMPLIED WARRANTY OF MERCHANTABILITY OR FITNESS FOR A PARTICULAR PURPOSE, ARE LIMITED TO THE DURATION OF THE EXPRESS LIMITED WARRANTY. SOME JURISDICTIONS DO NOT ALLOW LIMITATIONS ON HOW LONG AN IMPLIED WARRANTY LASTS, SO THE ABOVE LIMITATION MAY NOT APPLY TO YOU.

NOTICE: As a term of any warranties provided above, you must contact Zodiac immediately upon the happening of any event upon which you make a warranty claim. Failure to provide this prompt notice may result in your forfeiting warranty rights and claim.

THIS LIMITED WARRANTY EXCLUDES THE FOLLOWING:

1. Discoloration of the G3 pool cleaner. This is caused by reaction to ultraviolet rays and the chemicals used in the pool water. Discoloration does not affect the operating ability of the G3. Therefore, this Limited Warranty does not cover the replacement of discolored parts.
2. Damage to or malfunction of the unit resulting from excess chlorination or improper water chemistry balance.
3. Replacement of parts which fail or become defective as a result of improper installation, negligence, misuse, abuse or tampering by unauthorized repair personnel.
4. Age, pool water imbalance, and improper installation can cause vinyl pool liners to become brittle or unduly wrinkled. Corrosion of the supporting walls and/or irregularities in the pool base may also cause liner failure. The use of this product in such an environment is at the pool owner's risk. Therefore, the pool owner hereby releases the manufacturer from any and all claims for damage where these conditions exist.
5. The G3 is designed for use in in-ground pools only. If unit is used in any other application, the pool owner hereby releases the manufacturer from any and all claims. This misuse will void all warranty on the unit.
6. In no event shall Zodiac be liable in contract or in tort, or under any other legal theory, for lost profits or revenues, loss of use or similar economic loss, or for indirect, special, incidental, consequential or similar damages, even if it has been advised of the possibility of such claim. Some jurisdictions do not allow the exclusion or limitation of incidental or consequential damages, so the above limitation or exclusion may not apply to you.

IMPORTANT WARRANTY NOTICES FOR VINYL LINER POOL OWNERS

- Certain vinyl liner patterns are particularly susceptible to rapid surface wear or pattern removal caused by objects coming into contact with the vinyl surface, including pool brushes, pool toys, floats, fountains, chlorine dispensers, and automatic pool cleaners.
- Some vinyl liner patterns can be seriously scratched or abraded simply by rubbing the surface with a pool brush. Ink from the pattern can also rub off during the installation process or when it comes into contact with objects in the pool. **Zodiac is not responsible for, and the Limited Warranty does not cover, pattern removal, abrasion or marking on vinyl liners.**
- Vinyl liners are subject to deterioration or damage due to age, the effect of chemicals, corrosion or failure of the supporting walls; as well as improper installation, maintenance or cleaning of the supporting walls or base. Before installing the G3, examine the interior of your pool carefully. If your vinyl liner is brittle or has stones, wrinkles, roots or metal corrosion in contact with the underside of the liner, or has damage to the base material or supporting walls, do not install the G3 before having a qualified professional perform the necessary repairs or liner replacement.

ZODIAC WILL NOT BE RESPONSIBLE FOR LINER DAMAGE CAUSED BY (1) A G3 CLEANER WHICH IS IN DISREPAIR, (2) PATTERN REMOVAL FROM A VINYL LINER, OR (3) A G3 CLEANER USED IN A POOL HAVING AN AGED OR DETERIORATED LINER.

WARRANTY PROCEDURES

No claim under this Limited Warranty will be recognized unless the registration card, included in your box, is completed and returned within thirty (30) days of the purchase date. **Only the original purchaser may submit a claim under this Limited Warranty.** Purchaser's claims against Zodiac shall be limited to those claims which may be asserted under the Limited Warranty relating to any defect, malfunction or wear of the G3.

To obtain warranty replacements or repair, call Zodiac for authorization. When submitting a claim, always supply the serial number, evidence of purchase date, retailer and a brief description of the problems/defects encountered. Zodiac reserves the right to repair or replace all defective or worn parts covered by this Limited Warranty, and return same to purchaser, freight collect.

Zodiac assumes no responsibility for any warranties or representations made by other individuals or businesses beyond the express terms contained in this Limited Warranty. This warranty gives you specific legal rights, and you may also have other rights which vary from jurisdiction to jurisdiction.

For sale and use in the United States, Mexico and Canada only. This pool cleaner is not warranted or guaranteed in any other country.



Zodiac Pool Care, Inc.

2620 Commerce Way,
Vista, CA 92081 USA • Tel: 1-800-822-7933

Zodiac Pool Care Canada, Ltd.

2115 South Service Road West, Unit 3
Oakville, ON Canada L6L 5W2 • Tel: 1-888-647-4004